

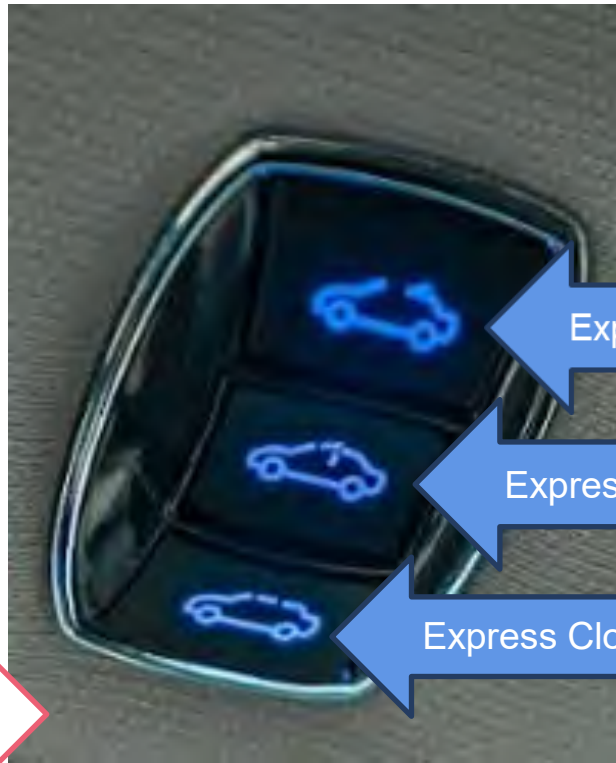
# Hollandia Style Sunroof (Universal)

**HOLDCOM**  
**AUTO PARTS**

[www.holdcom.com.au](http://www.holdcom.com.au)

- **Advanced Electronics: 1-touch open/close/vent**
- **Ignition Key Auto Close with interruption addition. Keep glass open if desired.**
- **Rolling Sunshade with premium mesh, independent from glass panel**
- **Hollandia 3-button Turtle Switch with 7 options of adjustable colour**
- **Trim addition for cover front edge for appearance upgrade.**
- **Dual-Lock included to retain trim shell in rear center to metal inner frame.**

# Modern-style switch with customizable LED colour



Express Open

Express Vent

Express Close

Color	Dip 1		Dip 2		Dip 3	
	ON	OFF	ON	OFF	ON	OFF
Green	<input checked="" type="checkbox"/>	<input type="checkbox"/>	<input type="checkbox"/>	<input checked="" type="checkbox"/>	<input type="checkbox"/>	<input checked="" type="checkbox"/>
Blue	<input type="checkbox"/>	<input checked="" type="checkbox"/>	<input checked="" type="checkbox"/>	<input type="checkbox"/>	<input type="checkbox"/>	<input checked="" type="checkbox"/>
Red	<input type="checkbox"/>	<input checked="" type="checkbox"/>	<input type="checkbox"/>	<input checked="" type="checkbox"/>	<input checked="" type="checkbox"/>	<input type="checkbox"/>
Turquoise	<input checked="" type="checkbox"/>	<input type="checkbox"/>	<input checked="" type="checkbox"/>	<input type="checkbox"/>	<input type="checkbox"/>	<input checked="" type="checkbox"/>
Yellow	<input checked="" type="checkbox"/>	<input type="checkbox"/>	<input type="checkbox"/>	<input checked="" type="checkbox"/>	<input checked="" type="checkbox"/>	<input type="checkbox"/>
Purple	<input type="checkbox"/>	<input checked="" type="checkbox"/>	<input checked="" type="checkbox"/>	<input type="checkbox"/>	<input checked="" type="checkbox"/>	<input type="checkbox"/>
White	<input checked="" type="checkbox"/>	<input type="checkbox"/>	<input checked="" type="checkbox"/>	<input type="checkbox"/>	<input checked="" type="checkbox"/>	<input type="checkbox"/>

7 unique colour options for LEDs

(DIP switches on back)

**OEM Style  
Wrap Interior  
finish. Dome  
Light  
relocated and  
matching.**

**Shown with  
FMVSS flame  
resistant  
headliner  
upgrade.**

**Large model  
shown.**



**Large opening  
for sunshine  
and fresh air.**

**Large model shown.**



**Integrated, Rolling Sunshade can be operated independently of glass panel. Enjoy fresh air without the direct sunlight by opening the glass and closing the sunshade!**



**Large model shown.**

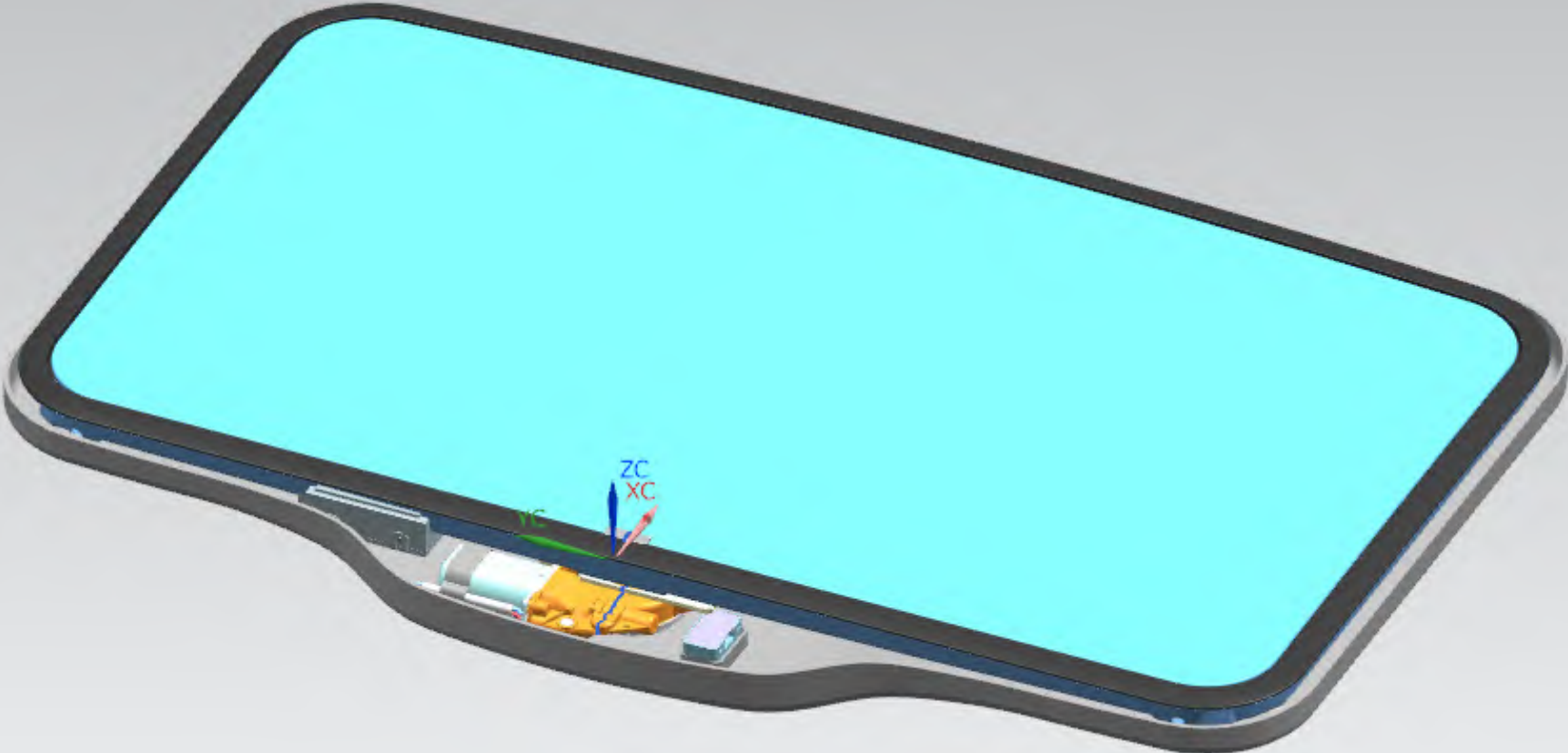


**Large size model ONLY - latest upgrades:**

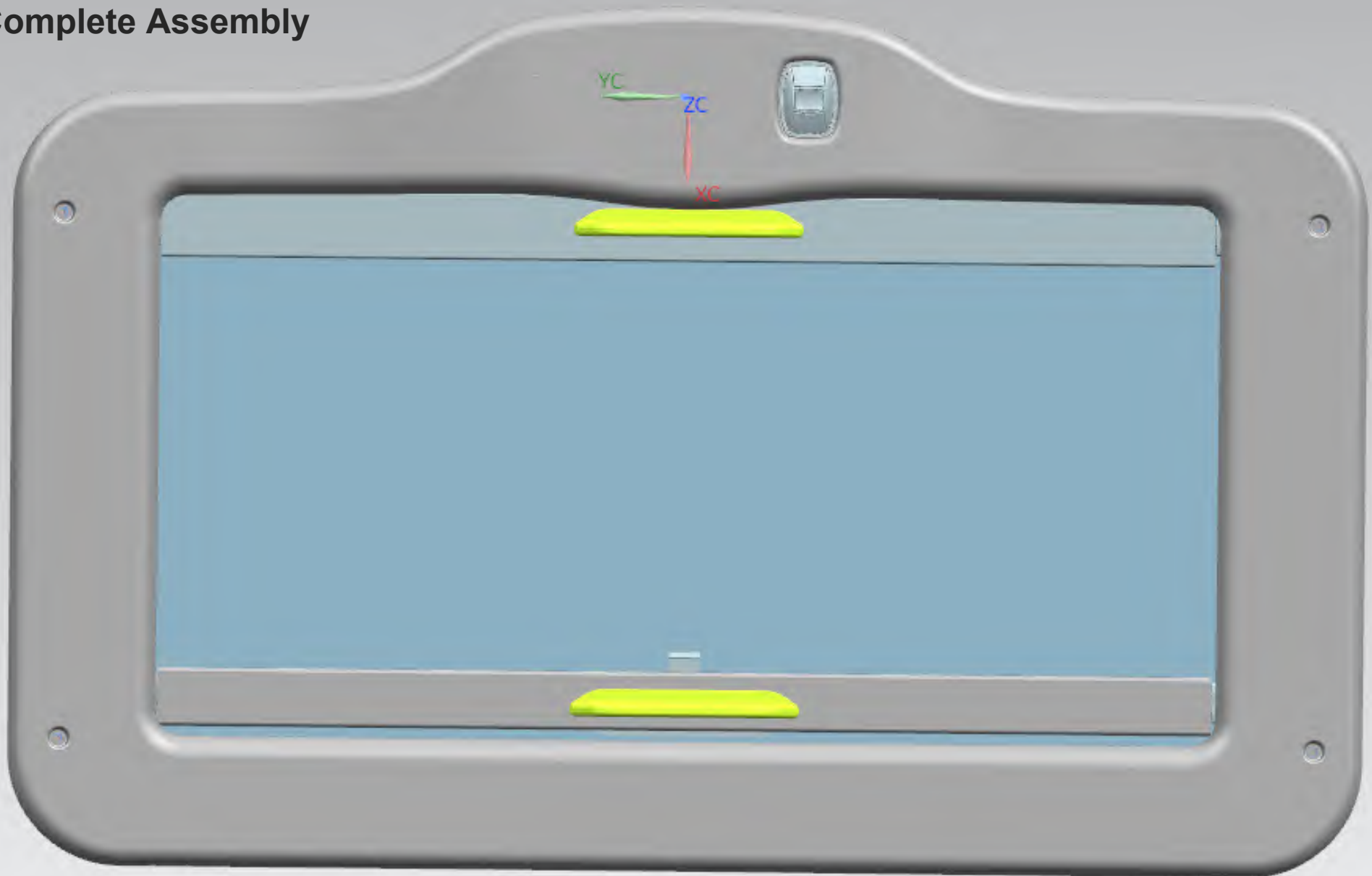


- Dual Lock (Velcro) retainer strips to attached bottom side of the metal from to the top side of the trimshell in the rear center section.
- EPDM (Rubber) trim to cover the open gap between the trimshell and front edge around motor

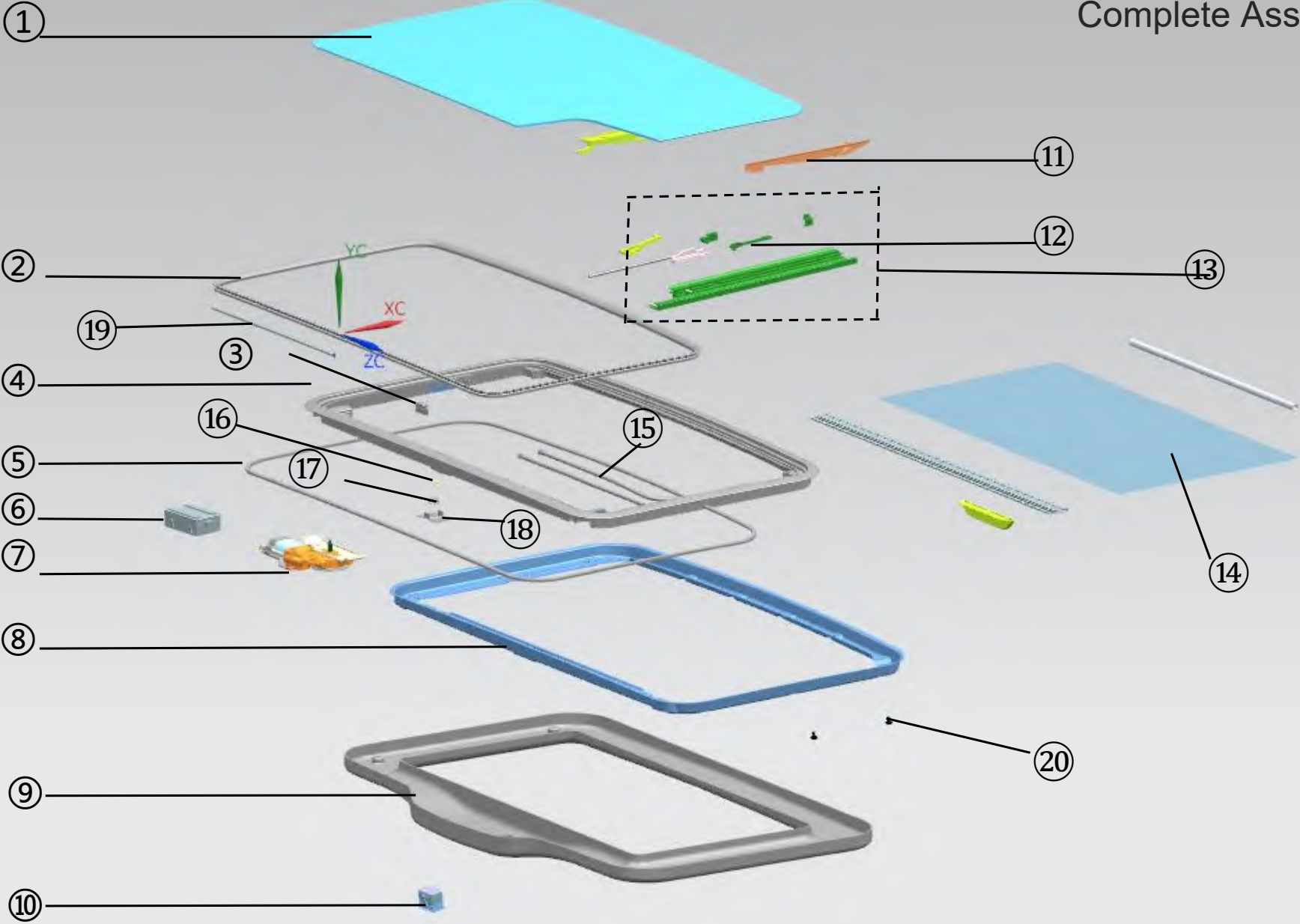
Top View  
Complete Assembly



**Bottom View  
Complete Assembly**



Exploded View  
Complete Assembly



## Parts List

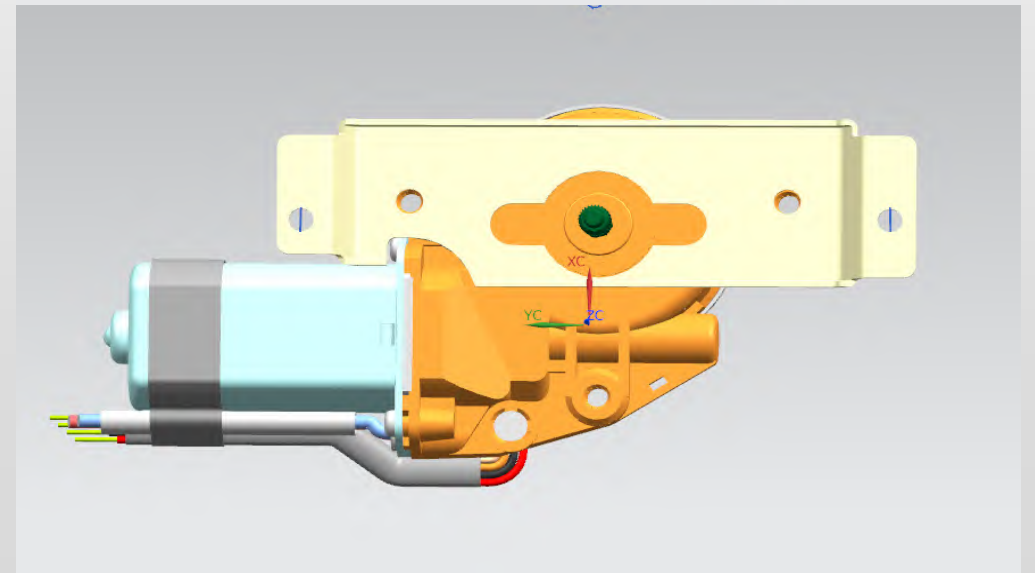
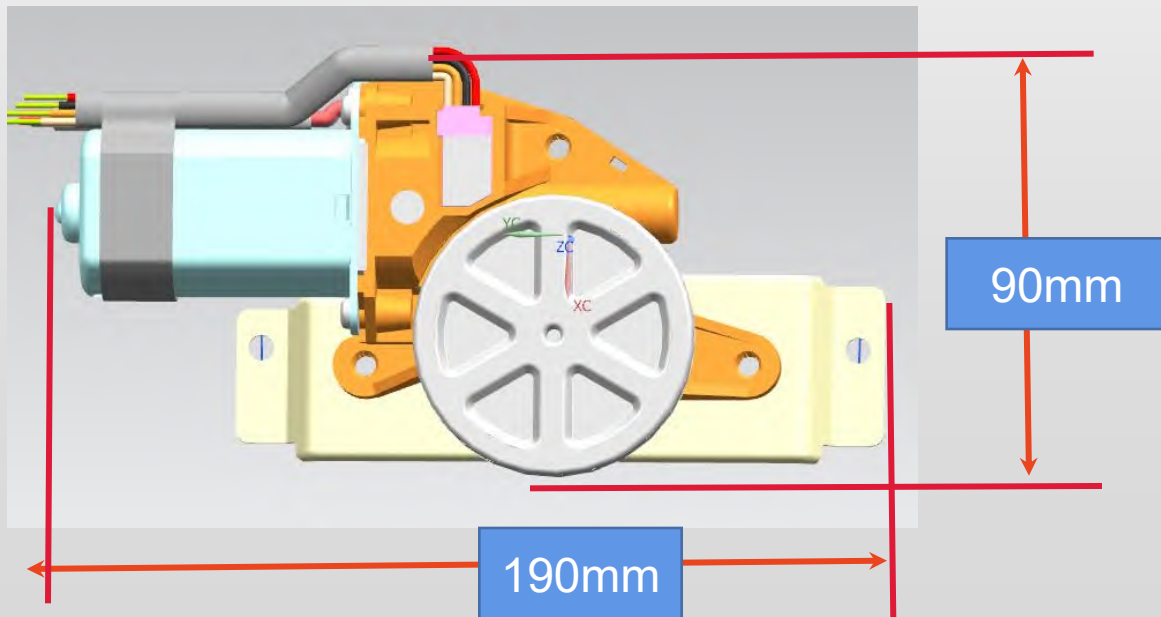
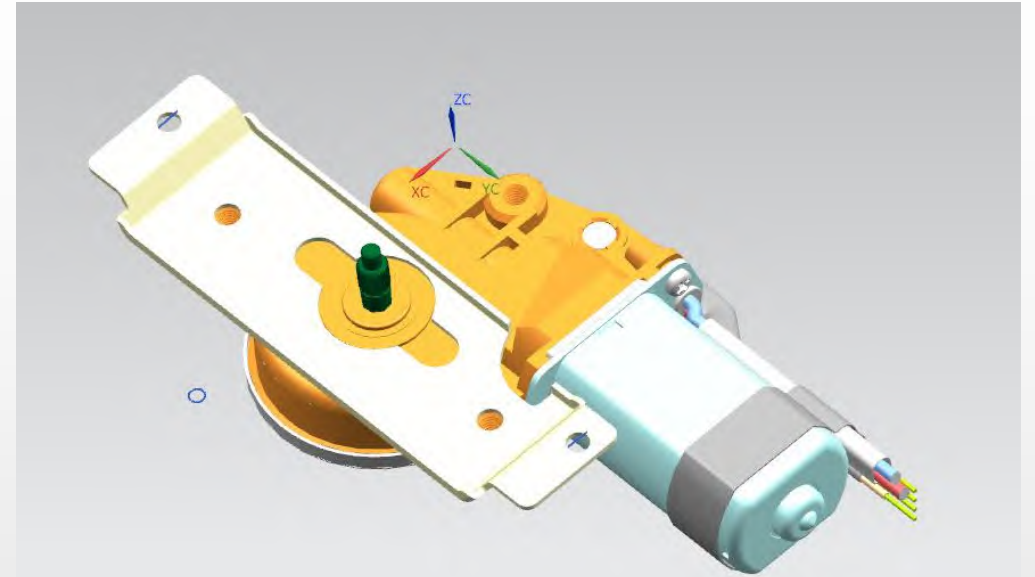
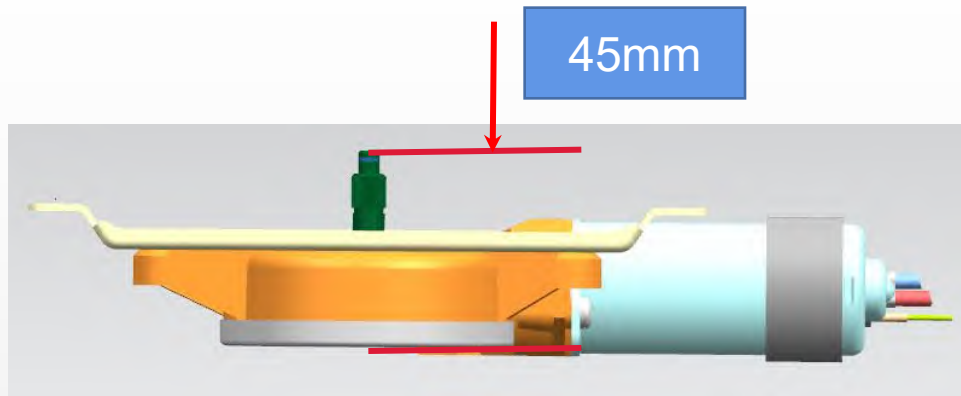
①	<b>Bonded Glass Assy</b> <b>H321LSK013A</b>	⑪	<b>Slide Lock left + right</b> <b>H321LSK113A</b>
②	Glass Seal H321LSK023A	⑫	Length Stopper left + right H321LSK123A
③	Upper Frame H321LSK033A	⑬	Mechanism Assembly left + right H321LSK133A
④	Glass Retaining Clip H321LSK043A	⑭	Sunshade Assembly H321LSK143A
⑤	Under Frame Sealant (not included USA) H321LSK053A	⑮	Return Tubes left + right H321LSK153A
⑥	Sunroof Control Unit (SCU) H321LSK063A	⑯	Bearing H321LSK163A
⑦	Motor H321LSK073A	⑰	Motor Gear H321LSK173A
⑧	Lower frame (coated steel) H321LSK083A	⑱	Gear Plate H321LSK183A
⑨	TrimShell 2.0 with 4 corner mounting H321LSK093A	⑲	Drive Cable H321LSK193A
⑩	Switch (Webasto 3 button style) H321LSK103A	⑳	Screws H321LSK203A

## Sunroof Control Unit (SCU)

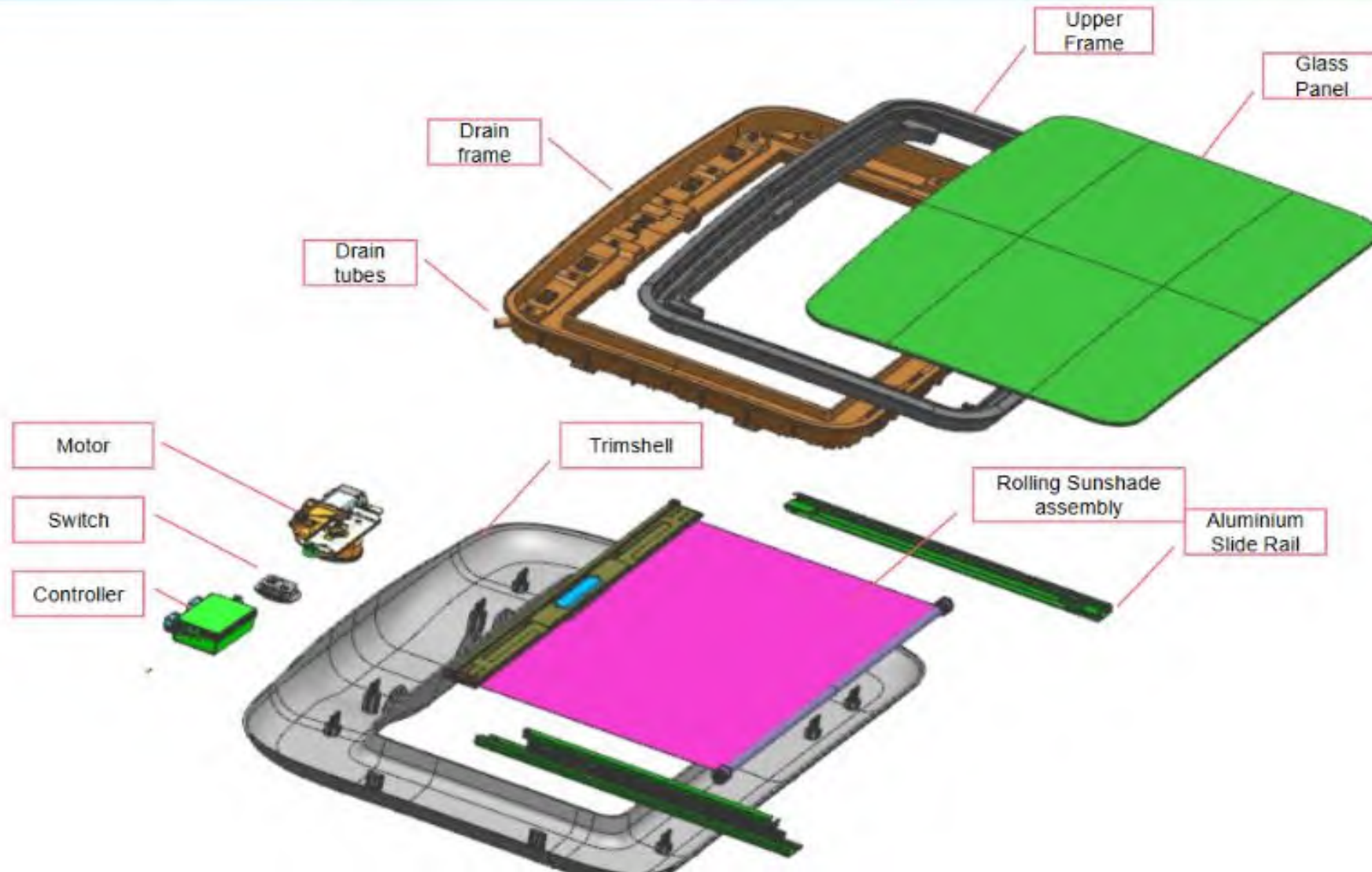


Interface Definition: AMP 173858-1		
Pin #	Pin definition	Details
1	+B Main Power	+12V (max current 25A)
2	Not Used	
3	Not Used	
4	Not Used	
5	Not Used	
6	Ground	(max current 25A)
7	Glass Open	Low level valid(100mA)
8	Glass Closed	Low level valid(100mA)
9	ACC Key Signal(IG2)	Low level valid(100mA)
10		
11		
12	Switch GND	

# Motor Dimensions

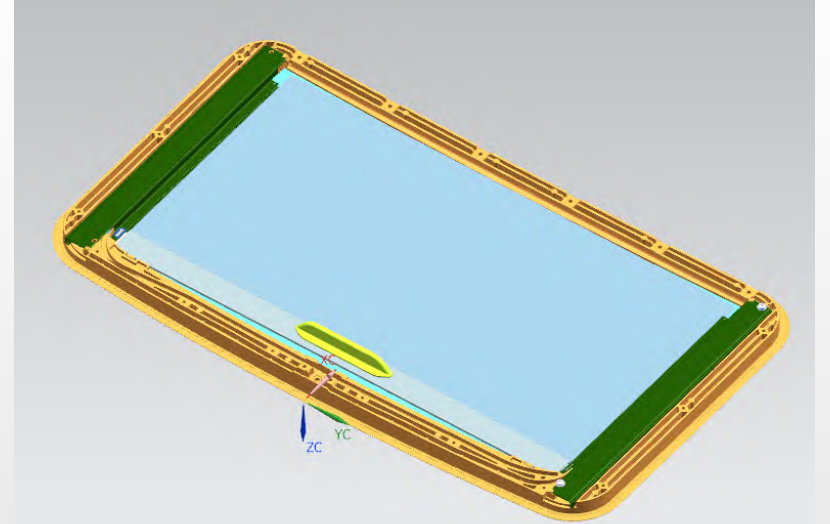
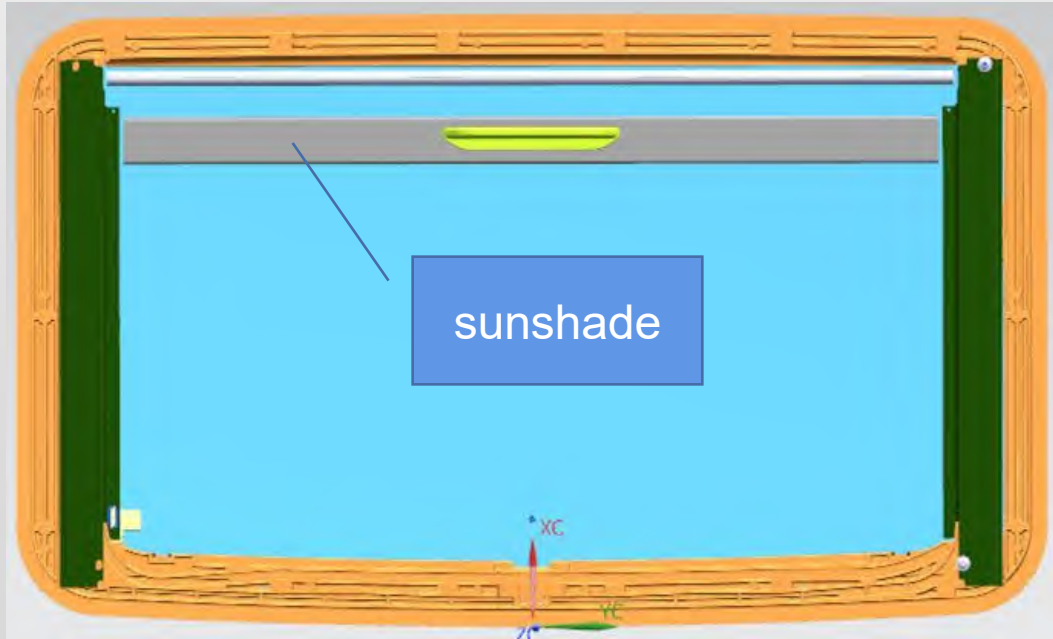
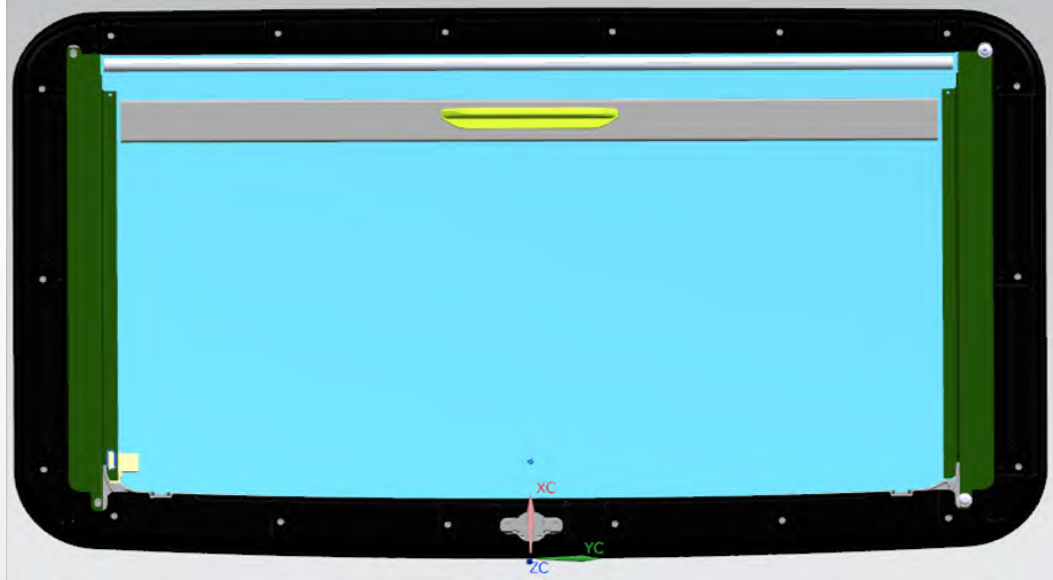


# 750 Power Sunroof - Pull/Stop Sunshade - Drawing - with Drain Tube Option included

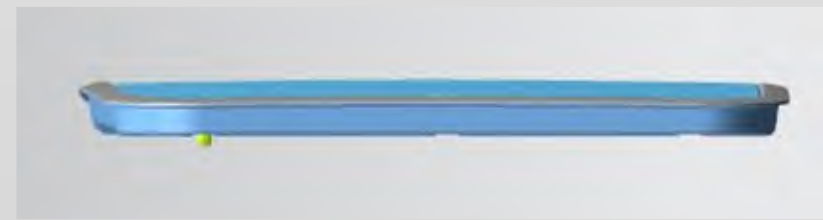
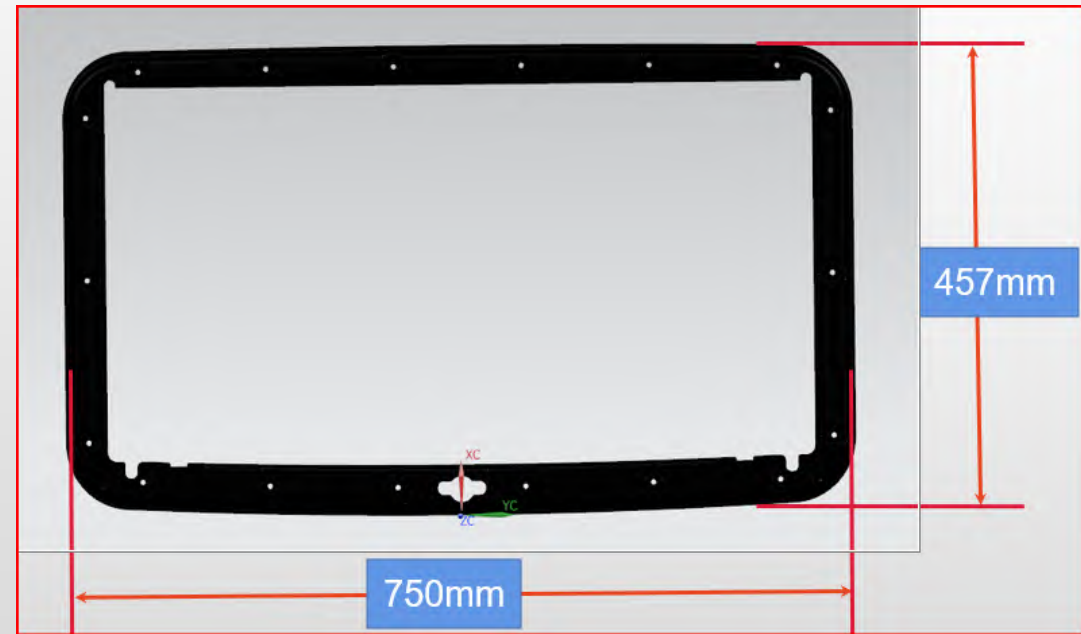
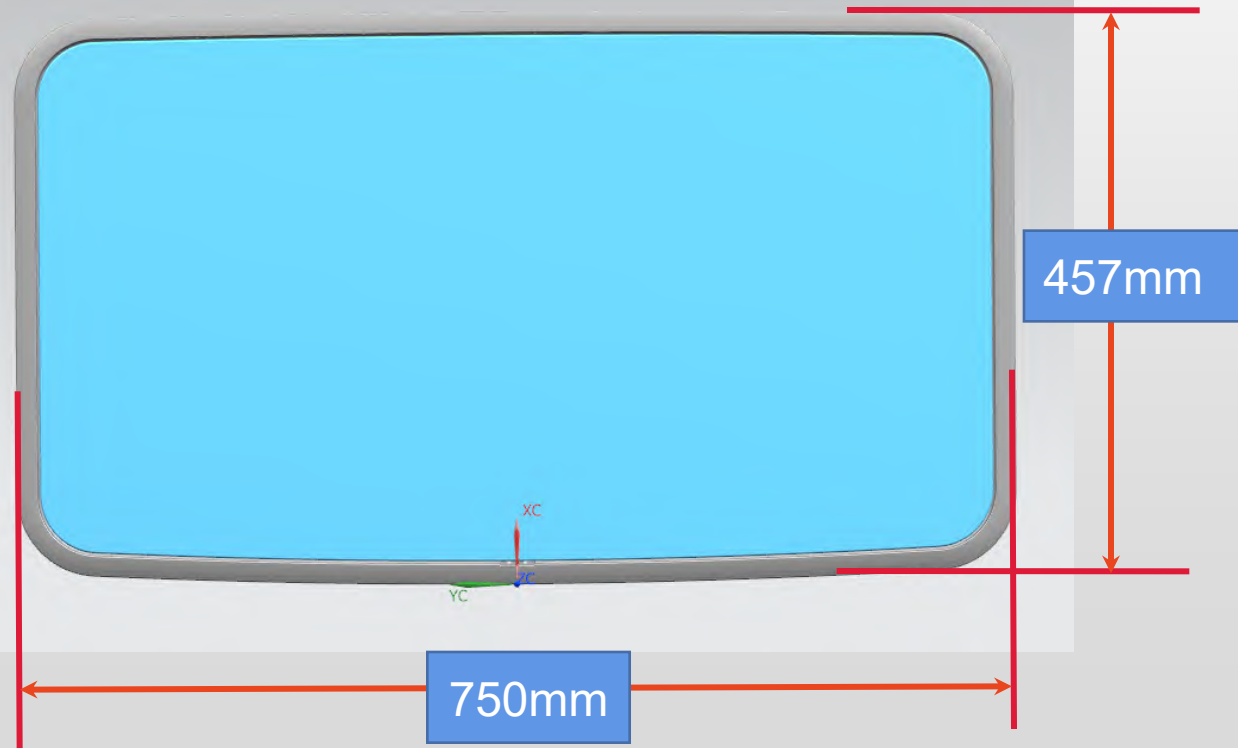
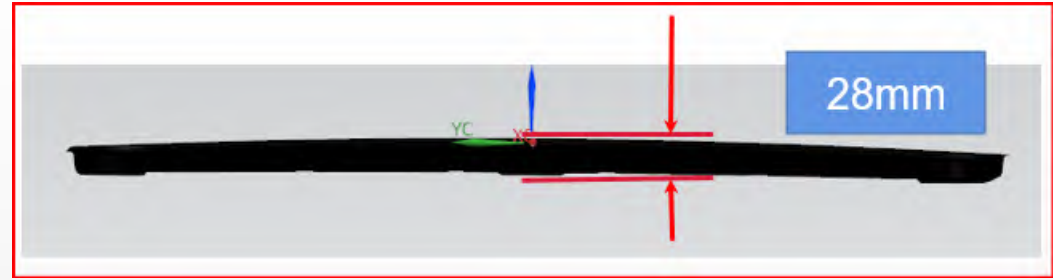
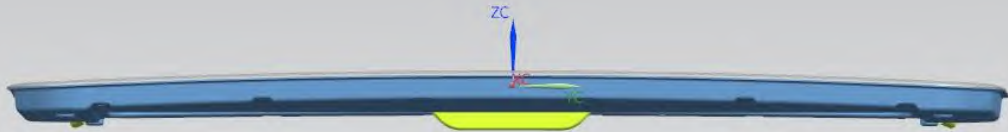


- 1. Drain Frame is plastic part.
- 2. Rolling sunshade is Pull/Stop version, Pull to the position and stop there.

# Inside assembly view

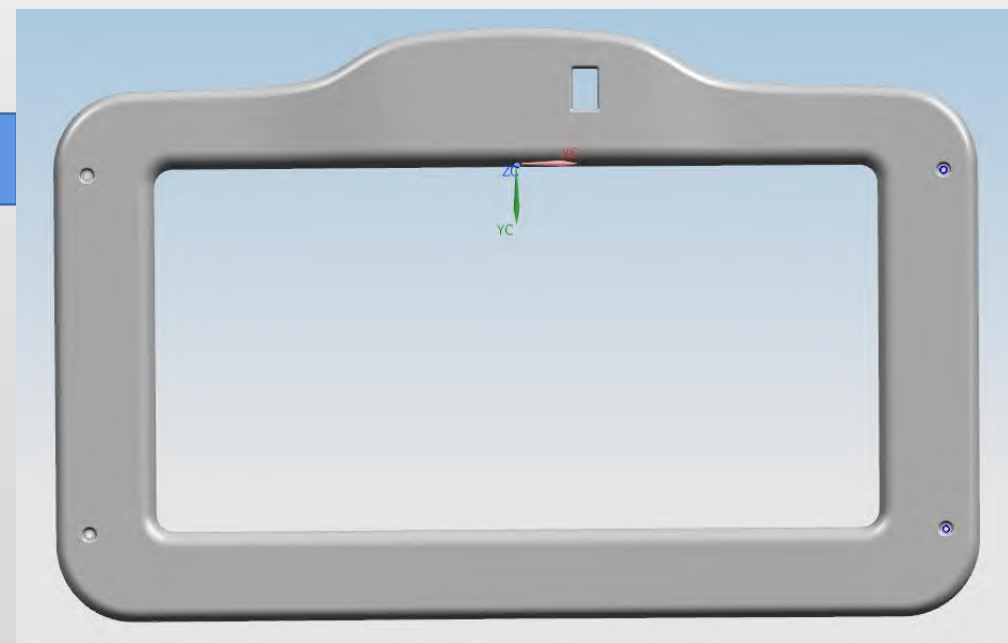
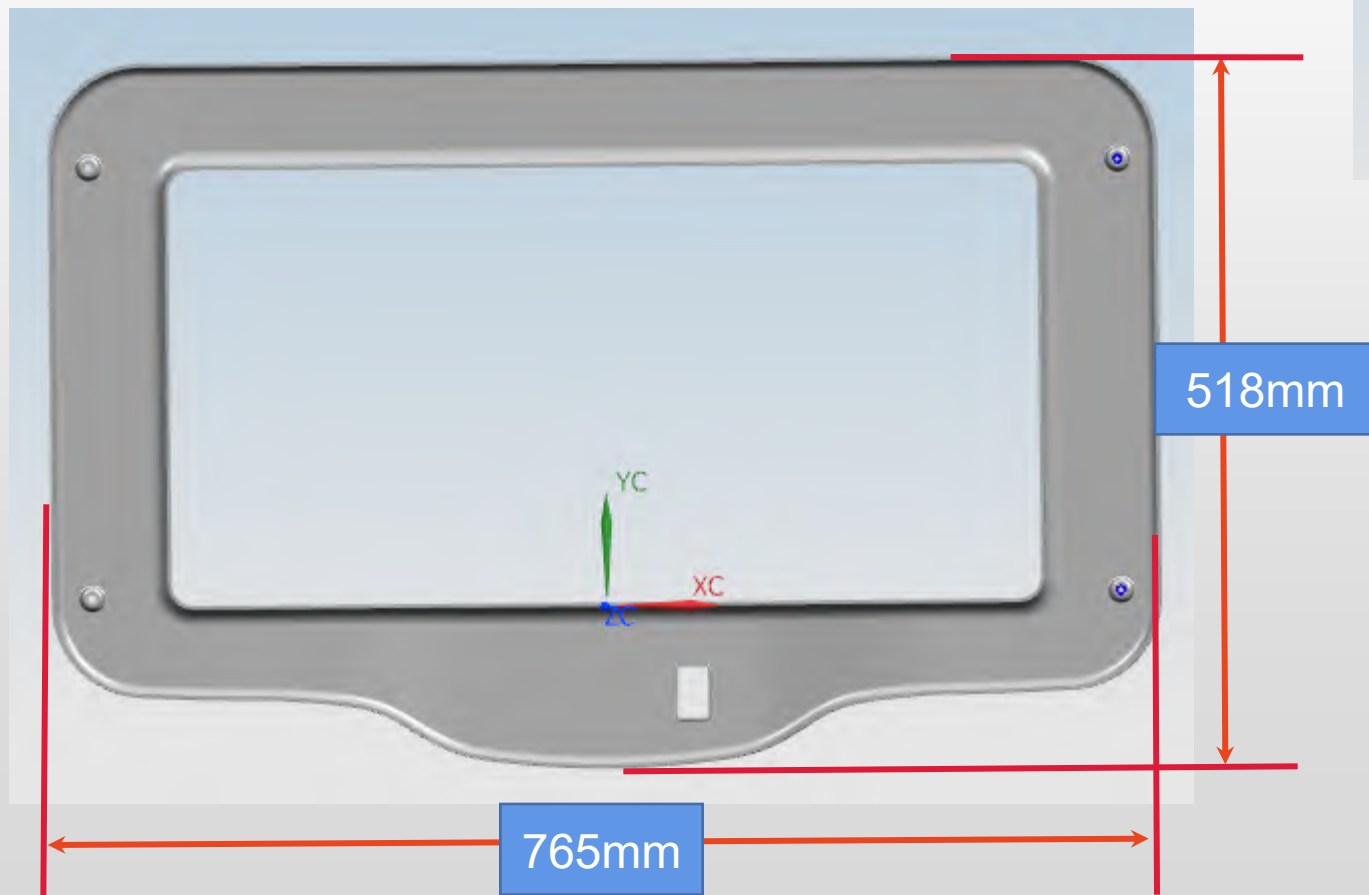
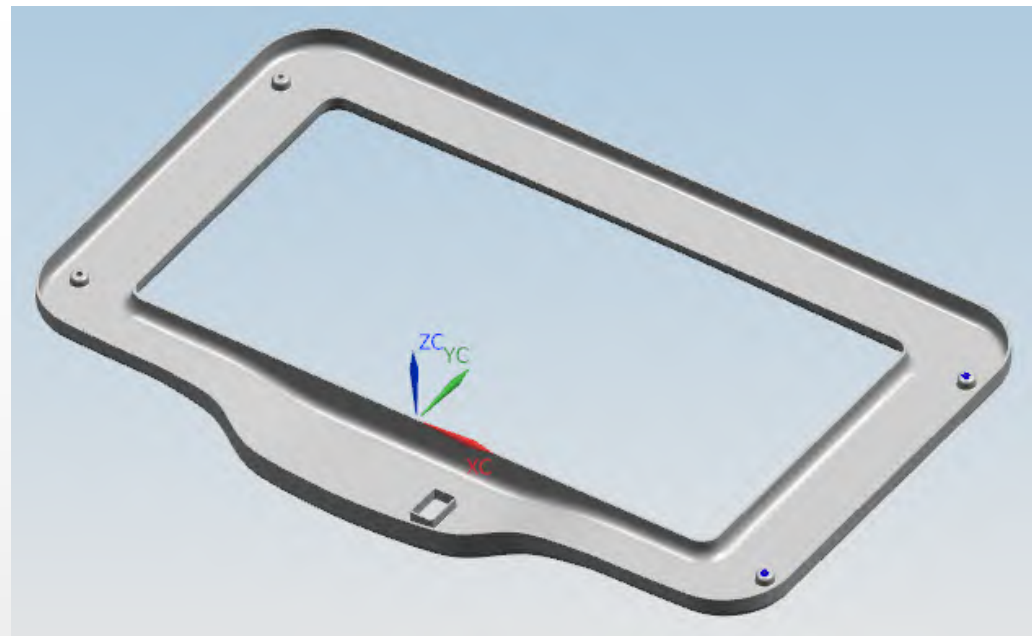
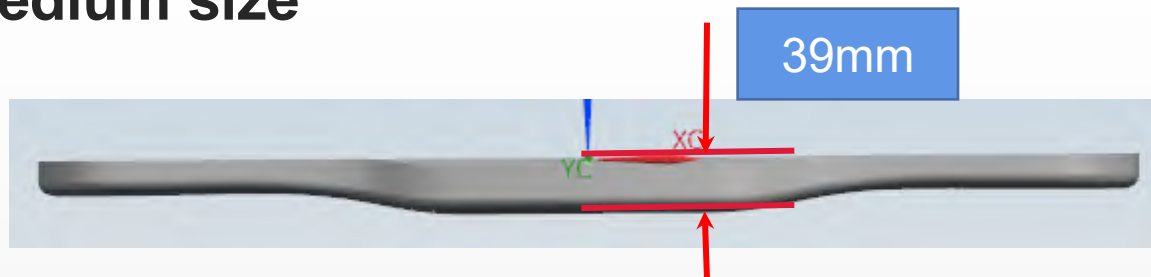


# Main Frame and Inner Frame Dimensions - Medium size

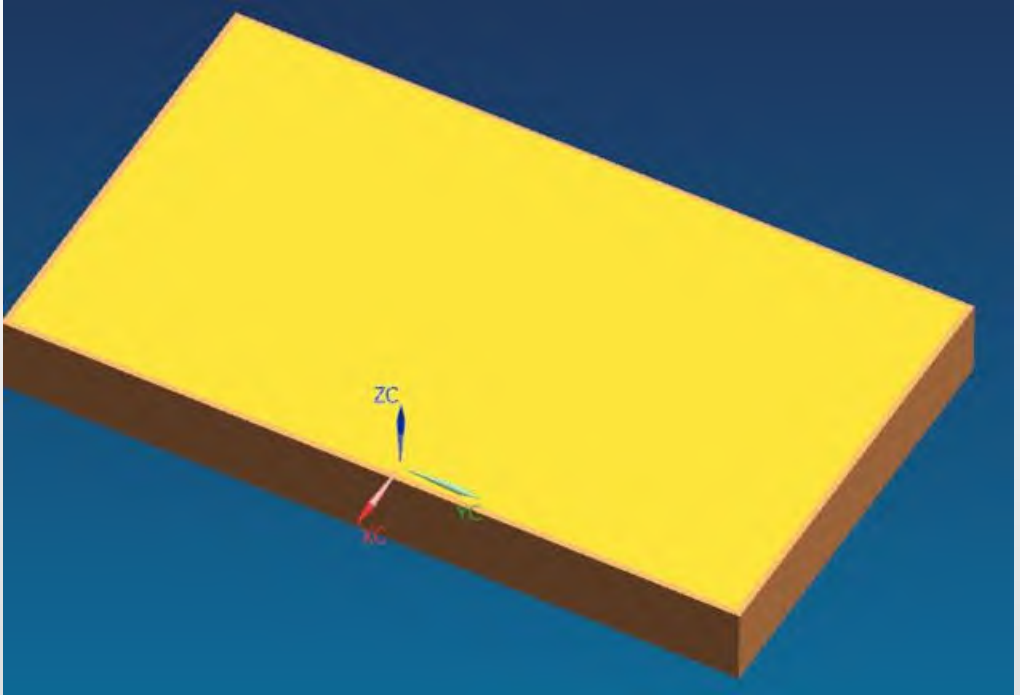
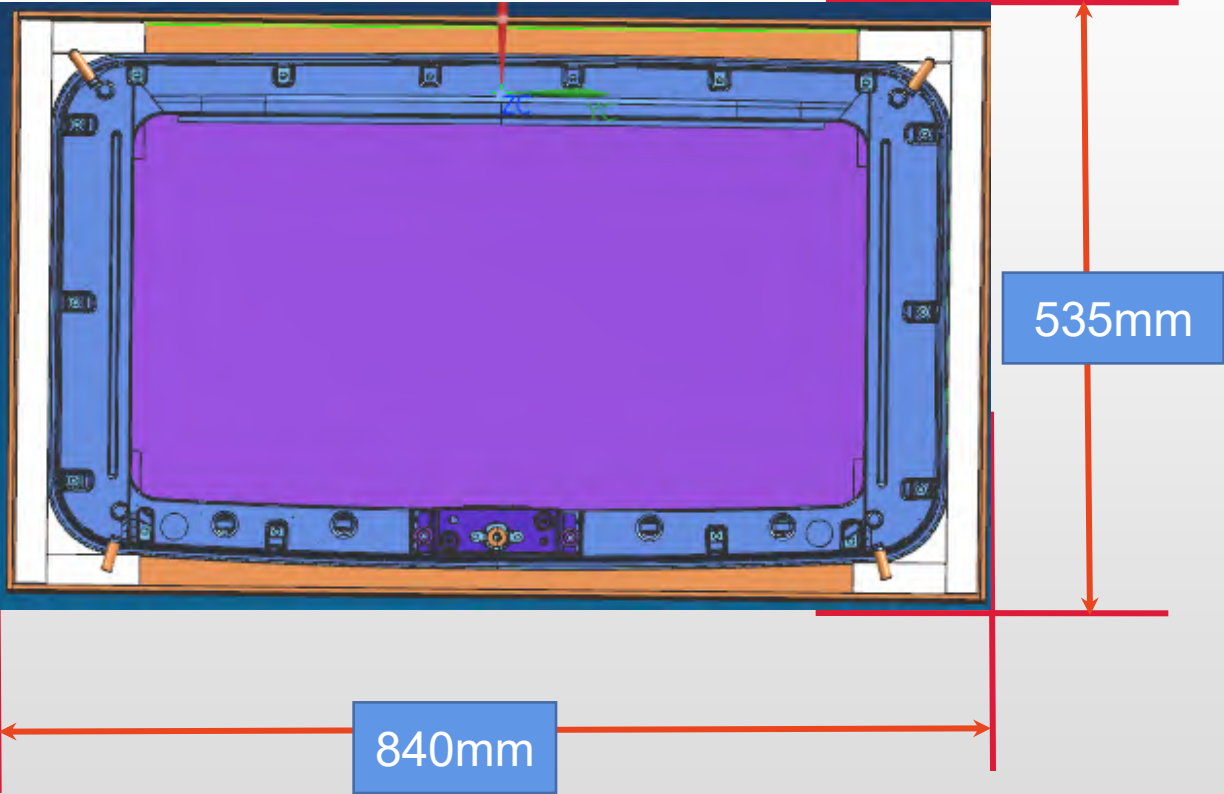


# Trim Shell Dimensions

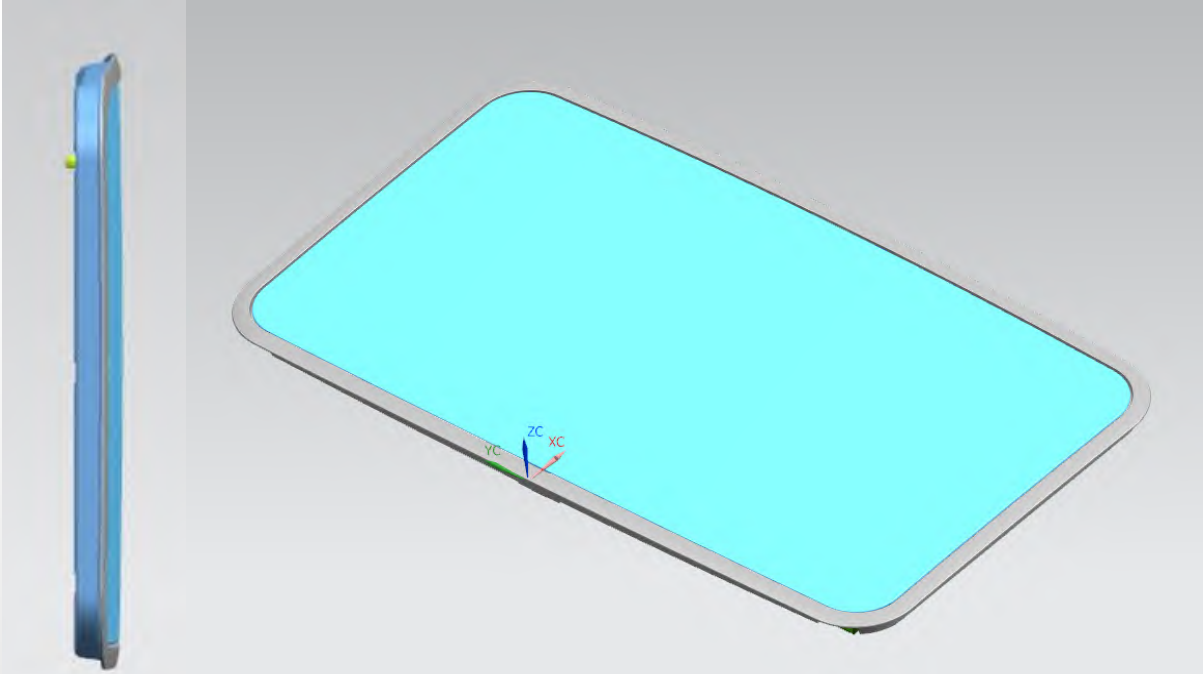
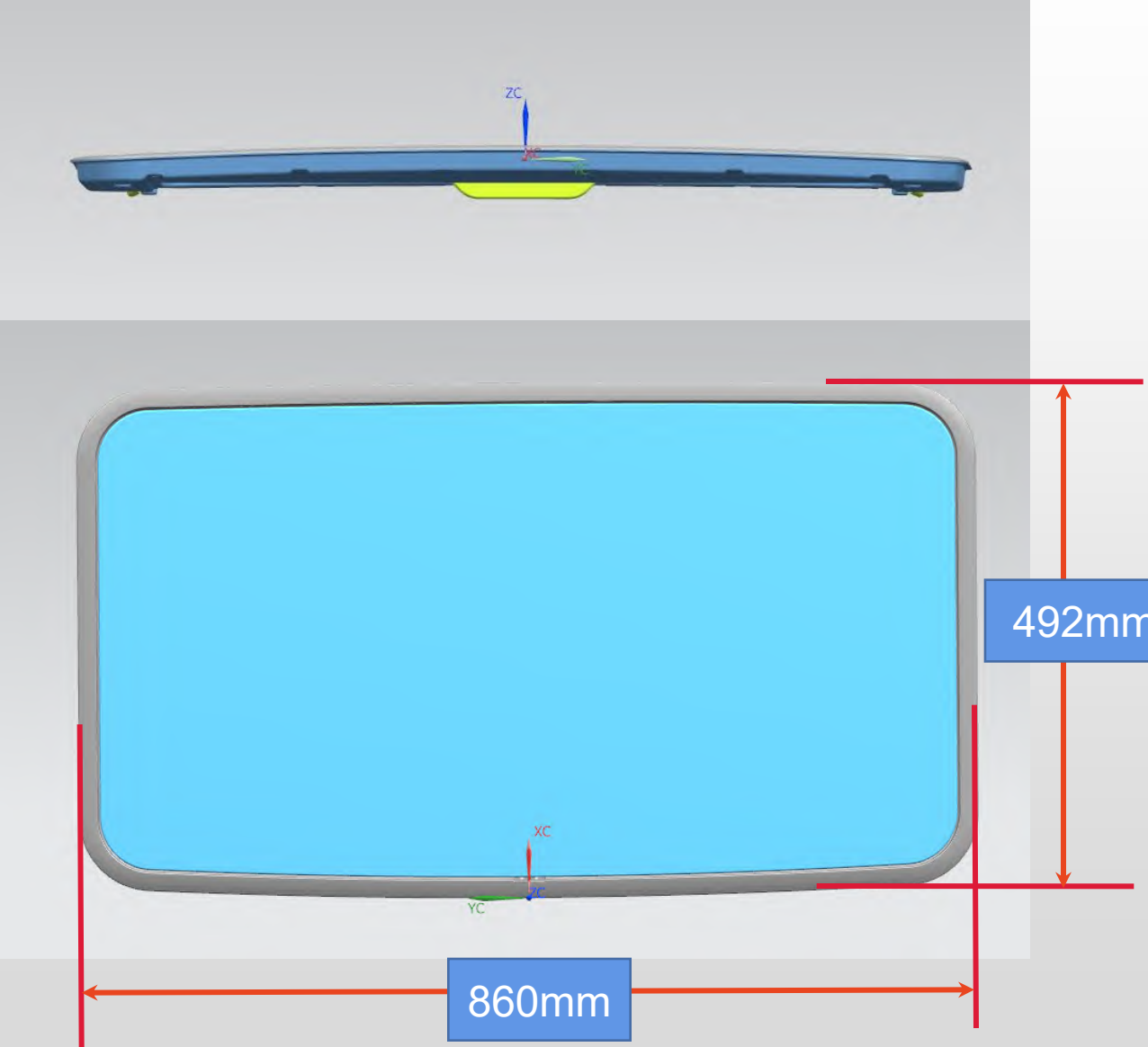
## Medium size



# Packaging Dimensions Medium size ONLY

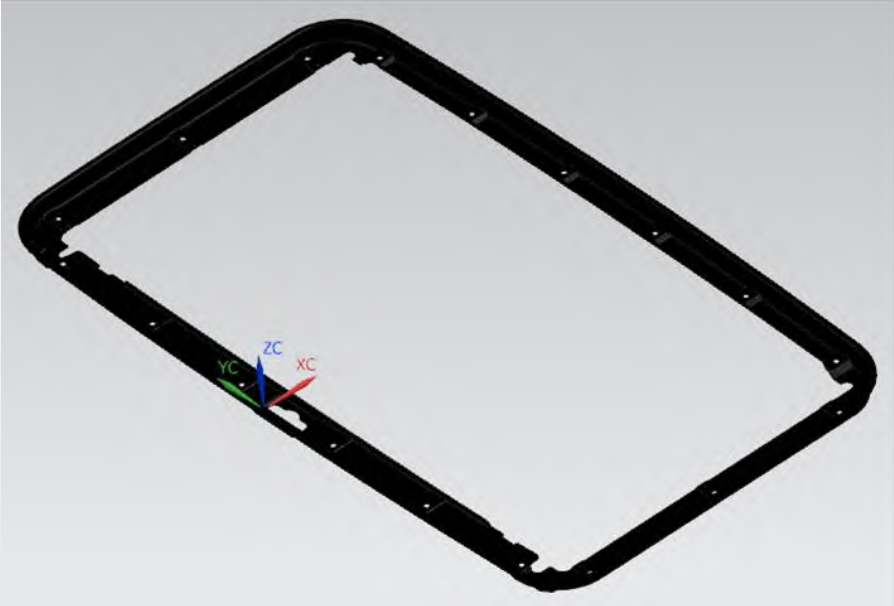
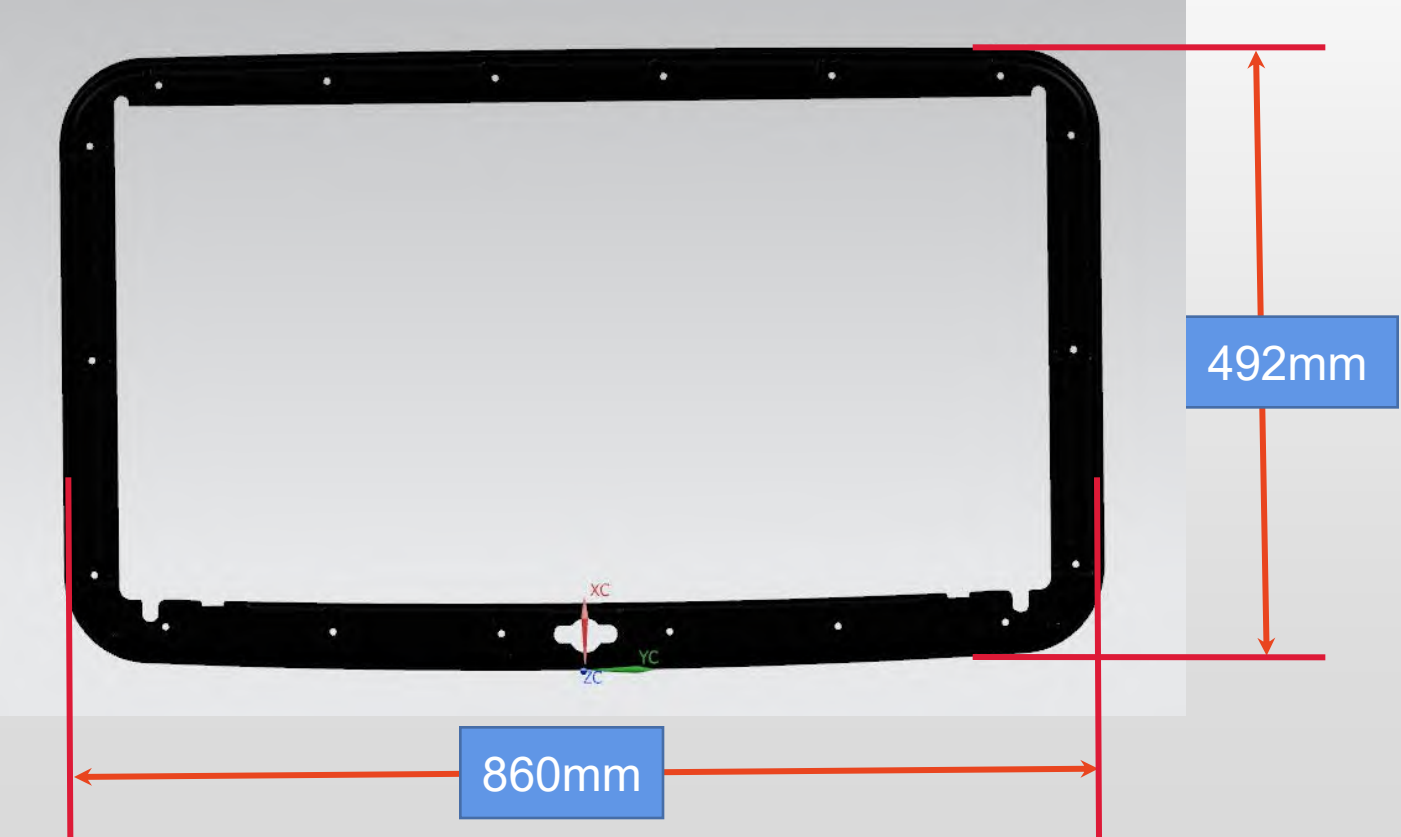


# Outer frame Dimensions Large size



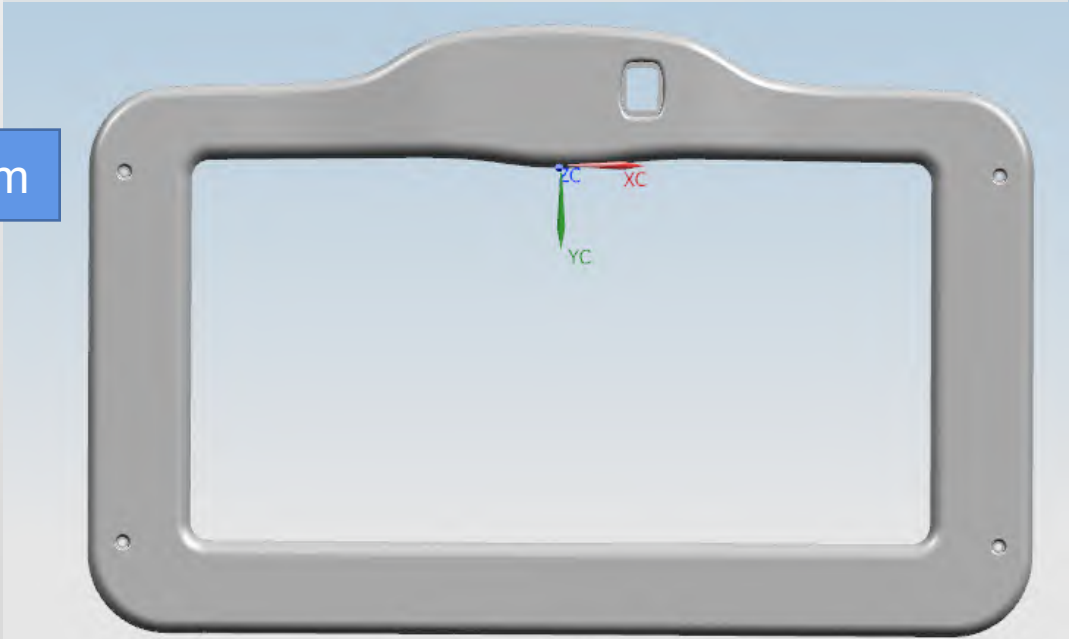
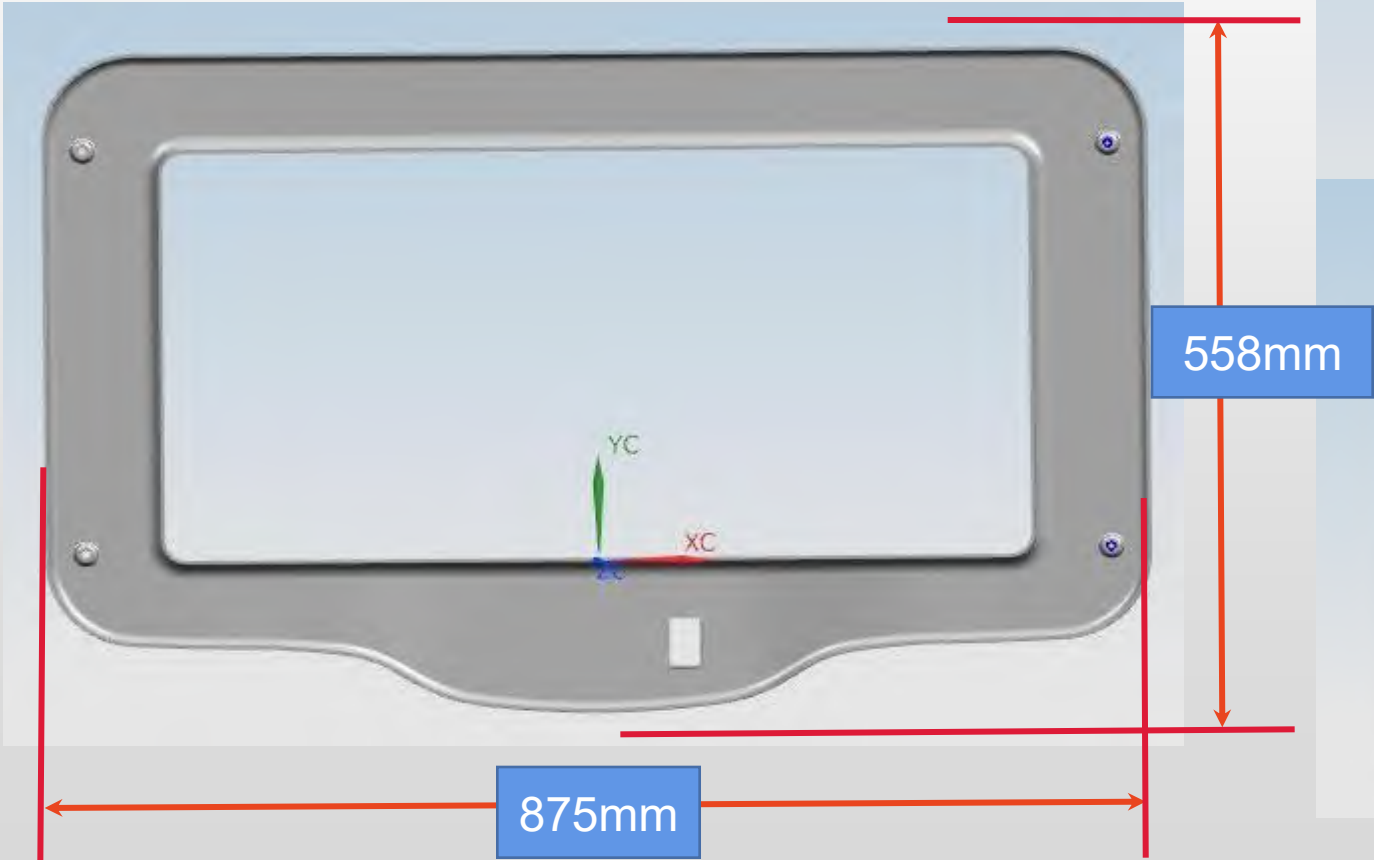
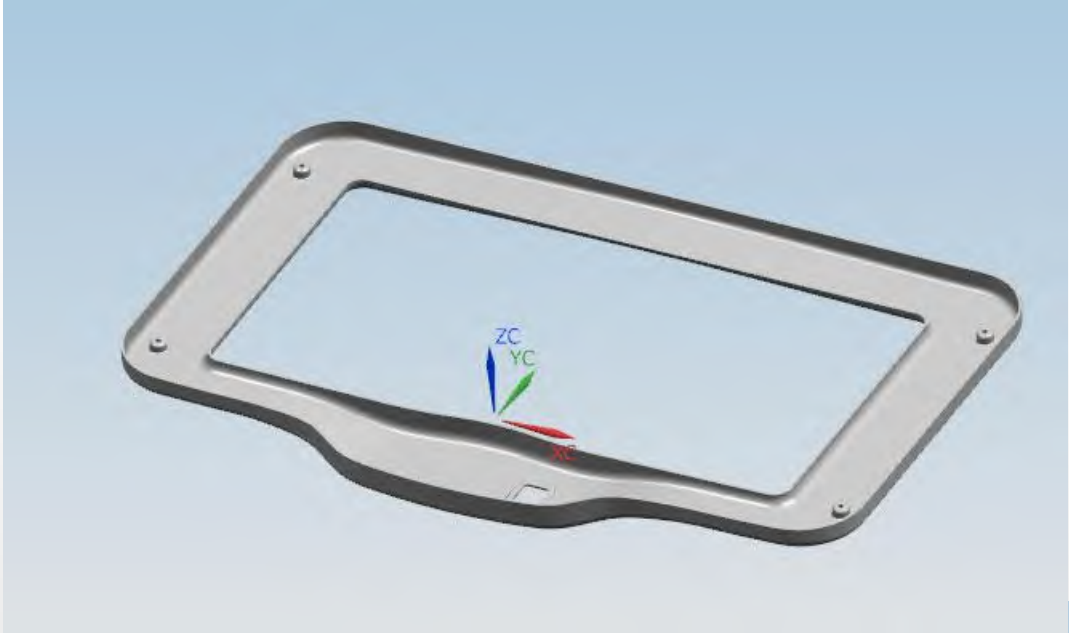
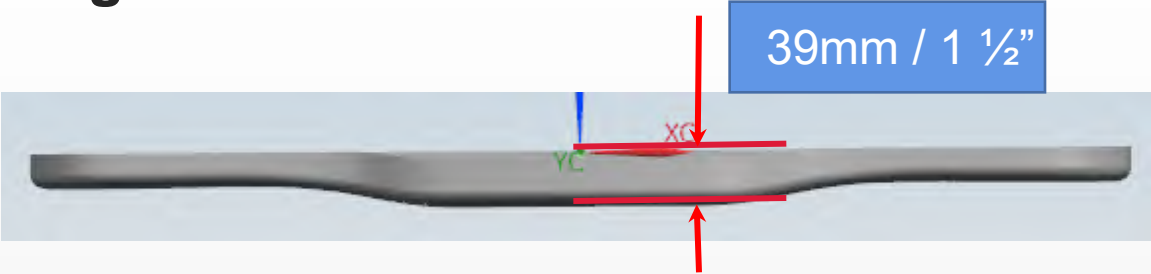
# Inner Frame Dimensions

## Large size

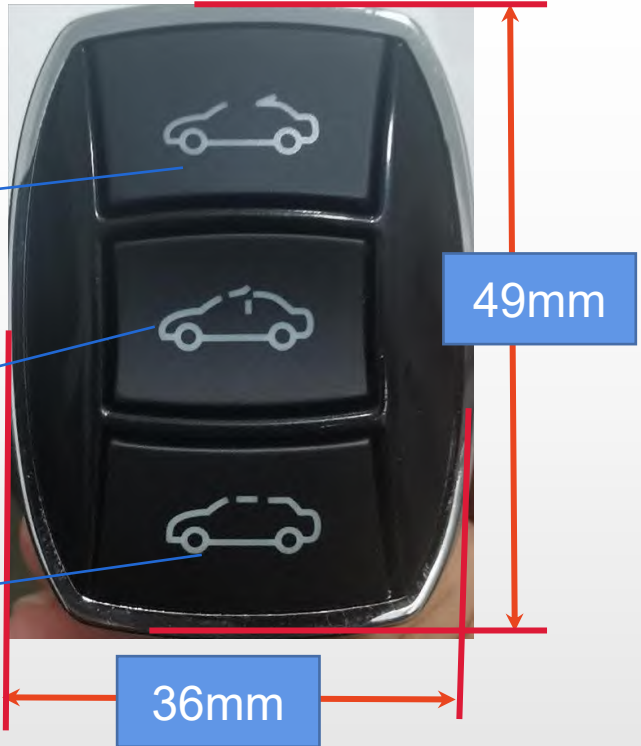


# Trim Shell Dimensions

## Large size



# Switch

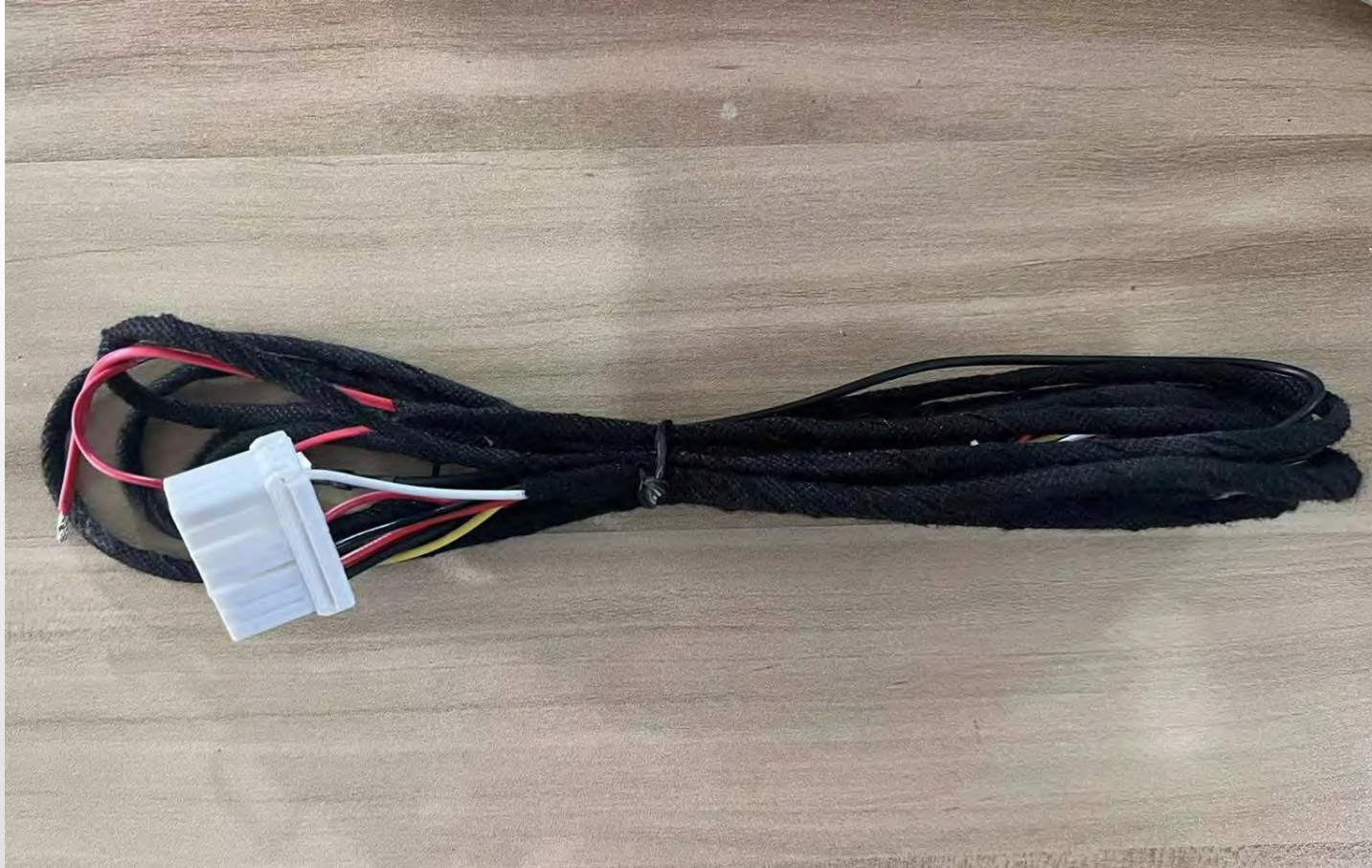


- Switch LED Colour
- 1 Green
  - 2 Blue
  - 3 Red
  - 1+2 Light Blue
  - 1+3 Yellow
  - 2+3 Purple
  - 1+2+3 White

Depth 19mm



## Wiring Harness



<b>A</b>	<b>3m</b>	<b>Black=Ground (1m) Red= + Power (3m), Thin Red = ACC(3m)</b>
<b>B</b>	<b>3.5m</b>	<b>Black=Ground (3m) Red= + Power (3m), Thin Red = ACC(3m)</b>
<b>C</b>	RV Version	155" needed total for switch connection

**Sealing Tape / Not used in USA / Japan version Black**



# Fasteners



M5\*16=4个



M5\*10=18个

**Completed Installations:**



**Completed Double  
Installations:**

**2026 Chevrolet  
Equinox**



**Completed Double  
Installations:**

**2026 Chevrolet  
Equinox**



**Completed Double  
Installations:**

**2024 Honda Civic**



**Completed Double  
Installations:**

**2024 Honda Civic**

